

	1	2	3	4	5	6	7	8	9	10	11	12	13	14	15	16	17	18	19	20	21	22	23	24	25
51 A																									
52 B	+	+	+			+	+	+		+	+	+		+	+	+		+	+		+	+	+	+	+
53 C	+	6	+			+	5	+		+	4	+		+	3	+		+	2	+		+	1	+	
54 D	+	+	+			+	+	+		+	+	+		+	+	+		+	+		+	+	+	+	+
55 E																									
56 F	+	+	+			+	+	+		+	+	+		+	+	+		+	+		+	+	+	+	+
57 G	+	7	+			+	8	+		+	9	+		+	10	+		+	11	+		+	12	+	
58 H	+	+	+			+	+	+		+	+	+		+	+	+		+	+		+	+	+	+	+
59 J																									
60 K	+	+	+			+	+	+		+	+	+		+	+	+		+	+		+	+	+	+	+
61 L	+	18	+			+	17	+		+	16	+		+	15	+		+	14	+		+	13	+	
62 M	+	+	+			+	+	+		+	+	+		+	+	+		+	+		+	+	+	+	+
63 N																									
64 O	+	+	+			+	+	+		+	+	+		+	+	+		+	+		+	+	+	+	+
65 P	+	19	+			+	20	+		+	21	+		+	22	+		+	23	+		+	24	+	
66 Q	+	+	+			+	+	+		+	+	+		+	+	+		+	+		+	+	+	+	+
67 R																									
68 S	+																								
69 T	+	30	+			+	29	+		+	28	+		+	27	+		+	26	+		+	25	+	
70 U	+	+	+			+	+	+		+	+	+		+	+	+		+	+		+	+	+	+	+
71 V																									
72 W	+	+	+			+	+	+		+	+	+		+	+	+		+	+		+	+	+	+	+
73 X	+	31	+			+	32	+		+	33	+		+	34	+		+	35	+		+	36	+	
74 Y	+	+	+			+	+	+		+	+	+		+	+	+		+	+		+	+	+	+	+
75 Z																									

LEGEND

○ = Corner having information on form 5680-2 in this file.

* 0001042
 Aubrey Tower Site
 Monuments in Back

FILING INSTRUCTION

File 5680-2 card record by letter and number coordinates behind the file guide for the township in which it falls.

File the 5680-2 card record by letter and then by number i.e., all A cards first, then B cards etc.

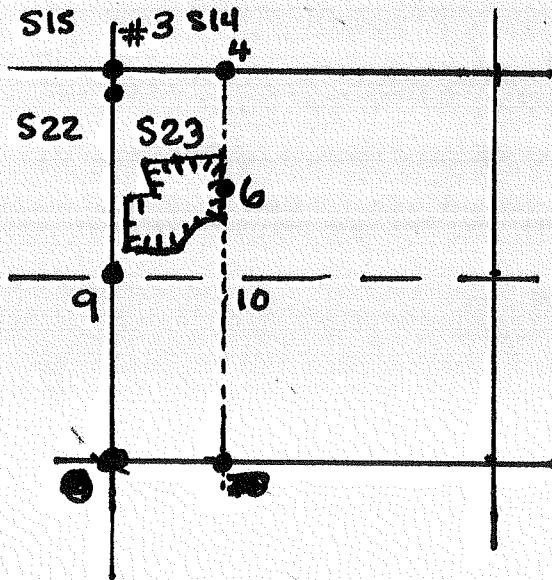
The first card behind the file guide (if data have been obtained and recorded) will be card A-1 for N.W. Township Corner, then card A-2 for 1/16 corner then card A-3 for 1/4 corner etc.

17/12 S.23 BPN #1109

TRACT OR SURVEY NO.

FOREST

SURVEY DIAGRAM



LEGEND

○ = Corner having information on form 7100-52 in this file.

See Plat # 1109
01/04

FILING INSTRUCTIONS

Draft tract diagram in space at left.
File 7100-52 card record in numerical sequence behind tract file guide as the data are obtained and recorded. Show by above symbol, on the tract diagram those corners having data in this file.

USDA-FOREST SERVICE

Index File No. 1965

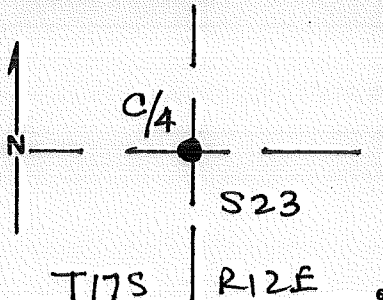
CORNER RECORD (SEARCH)
(Ref. FSM 7151.4)

Tract or Survey No. #11 1036 Cor. No. P-19

T 17S R. 12E R.D. 8 County Deschutes

Merid. Wmt N.F. Deschutes State OR C/A S.23

CORNER DIAGRAM



DESCRIBE CORNER MONUMENT FOUND

FD. monument under pavement per CS 02742

DESCRIBE BEARING TREES OR OTHER OFFICIAL ACCESSORIES FOUND

PHOTO IDENTIFICATION DATA

Photo No. _____
Filed At. _____
Object Ident. _____
Ident. By _____
Signature

DESCRIBE CORNER LOCATION RELATIVE TO NEAR-BY FEATURES, ALSO HOW TO REACH CORNER

PLANE COORDINATE POSITION DATA

State _____ Zone _____
X _____
Y _____
Estab. By _____
Agency

Signature
Walt Miller

Title
PLS

Division
CS

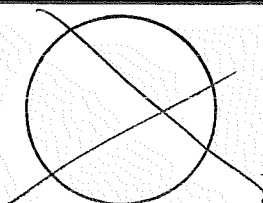
Headquarters
SO

Date
1/99

FS-7100-52 (3/69)

CORNER RECORD (PERPETUATION)

MONUMENT : DESCRIBE NEW MONUMENT SET, OR WORK DONE TO PRESERVE EXISTING MONUMENT



ACCESSORIES : DESCRIBE NEW BT'S WITNESS OBJECTS ETC. ESTABLISHED, OR WORK DONE TO PRESERVE EXISTING EVIDENCE

10

Work Done By _____ Title _____ Date _____ State Registration No. or Agency _____

Certified Cor. Record Prepared ? Yes No Filed At: _____ Date _____

11

REMARKS

12

Index File No. T. R. M. Tract or Surv. No. Cor.

1965

USDA-FOREST SERVICE

Index
File No. 1563

CORNER RECORD (SEARCH)
(Ref. FSM 7151.4)

Tract or
Survey No. 1036

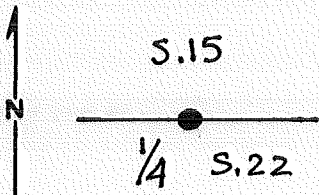
Cor.
No. N-15

T 17 S R. 12 E R.D. - County Deschutes N/4 S. 22

Merid. WMT N.F. Deschutes State OR

Corr# 1

CORNER DIAGRAM



T17S-R12E

DESCRIBE CORNER MONUMENT FOUND

Fd. Brass cap in monument box per
corner restoration record 158.

DESCRIBE BEARING TREES OR OTHER OFFICIAL ACCESSORIES FOUND

PHOTO IDENTIFICATION DATA

Photo No. _____
Filed At. _____
Object Ident. _____
Ident. By _____
Signature

DESCRIBE CORNER LOCATION RELATIVE TO NEAR-BY FEATURES, ALSO HOW TO REACH CORNER

HV-1 Bears S53°34'E @ 81.3'

PLANE COORDINATE POSITION DATA

State _____ Zone _____
X _____
Y _____
Estab. By _____
Agency

Signature
Walt Muller

Title
PLS

Division
CS

Headquarters
SO

Date
1/99

FS-7100-52 (3/68)

CORNER RECORD (PERPETUATION)

MONUMENT : DESCRIBE NEW MONUMENT SET, OR WORK DONE TO PRESERVE EXISTING MONUMENT

T17S R12E
 $\frac{1}{4}$ - $\frac{S15}{322}$
 1987
 L51020

ACCESSORIES : DESCRIBE NEW BT'S WITNESS OBJECTS ETC. ESTABLISHED, OR WORK DONE TO PRESERVE EXISTING EVIDENCE

Work Done By _____ Title _____ Date _____ State Registration No. or Agency _____ 10

Certified Cor. Record Prepared ? Yes No Filed At: _____ Date _____ 11

REMARKS

Index File No. T. R. M. Tract or Surv. No. Cor # | Cor. 12
 1563 17 12 GPO: 1986 0- 439-095 1036 N-15 13

USDA-FOREST SERVICE

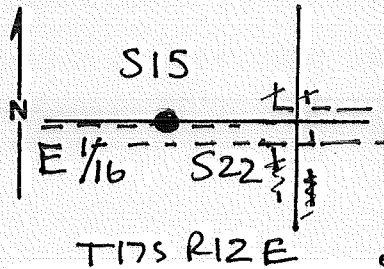
Index
File No. 1663

CORNER RECORD (SEARCH)
(Ref. FSM 7151.4)

Tract or Survey No. 1036 **Cor # 2**
Cor. No. N-16
County Deschutes E 1/16 15/22

T 17S R. 12E R.D. - State OR
Merid. WMT N.F. Deschutes State OR

CORNER DIAGRAM



DESCRIBE CORNER MONUMENT FOUND

FD Steel Rod in North Edge of pavement
per as 02743.

DESCRIBE BEARING TREES OR OTHER OFFICIAL ACCESSORIES FOUND

PHOTO IDENTIFICATION DATA

Photo No. _____
Filed At. _____
Object Ident. _____
Ident. By _____
Signature

DESCRIBE CORNER LOCATION RELATIVE TO NEAR-BY FEATURES, ALSO HOW TO REACH CORNER

PLANE COORDINATE POSITION DATA

State _____ Zone _____
X _____
Y _____
Estab. By _____
Agency

Signature
Walt Miller

Title
PLS

Division
CS

Headquarters
SO

Date
1/99

CORNER RECORD (PERPETUATION)

MONUMENT : DESCRIBE NEW MONUMENT SET, OR WORK DONE TO PRESERVE EXISTING MONUMENT

ACCESSORIES : DESCRIBE NEW BT's WITNESS OBJECTS ETC. ESTABLISHED, OR WORK DONE TO PRESERVE EXISTING EVIDENCE

Work Done By _____ Title _____ Date _____ State Registration No. or Agency _____

Certified Cor. Record Prepared ? Yes No Filed At: _____ Date _____

REMARKS

Index File No. 1663 T. 17 R. 12 M. _____ Tract or Surv. No. 1076 Cor. N-16

USDA-FOREST SERVICE

Index File No. 1763

CORNER RECORD (SEARCH)
(Ref. FSM 7151.4)

3

Tract or Survey No. 1036

Cor. No. N-17

T 17 S R. 12 E

R.D. -

County Deschutes

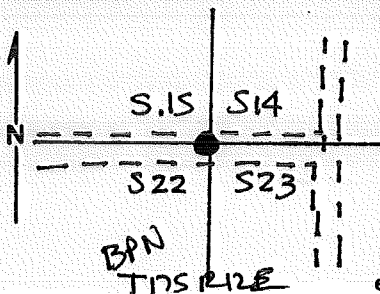
NW Cor S.23

Merid. WMT

N.F. Deschutes

State OR

CORNER DIAGRAM



DESCRIBE CORNER MONUMENT FOUND

FD A.C. in Pavement per corner restoration record 159.

DESCRIBE BEARING TREES OR OTHER OFFICIAL ACCESSORIES FOUND

PHOTO IDENTIFICATION DATA

Photo No. _____
Filed At. _____
Object Ident. _____
Ident. By _____
Signature

DESCRIBE CORNER LOCATION RELATIVE TO NEAR-BY FEATURES, ALSO HOW TO REACH CORNER

PLANE COORDINATE POSITION DATA

State _____ Zone _____
X _____
Y _____
Estab. By _____
Agency

Signature
Walt Miller

Title
PLS

Division
CS

Headquarters
SO

Date
1/99

FS-7100-52 (3/68)

CORNER RECORD (PERPETUATION)

MONUMENT : DESCRIBE NEW MONUMENT SET, OR WORK DONE TO PRESERVE EXISTING MONUMENT

T17S21E
S1S14
S22S23
1987
LS 1020

ACCESSORIES : DESCRIBE NEW BT'S WITNESS OBJECTS ETC. ESTABLISHED, OR WORK DONE TO PRESERVE EXISTING EVIDENCE

9

10

Work Done By _____ Title _____ Date _____ State Registration No. or Agency _____

Certified Cor. Record Prepared ? Yes No Filed At: _____ Date _____

11

REMARKS

12

Index File No. T. R. M. Tract or Surv. No. Cor. N-17

1763

13

USDA-FOREST SERVICE

Index
File No. 1863

CORNER RECORD (SEARCH)
(Ref. FSM 7151.4)

Tract or Survey No. 1036 Cor. No. N-18

4

T 17S R. 12E

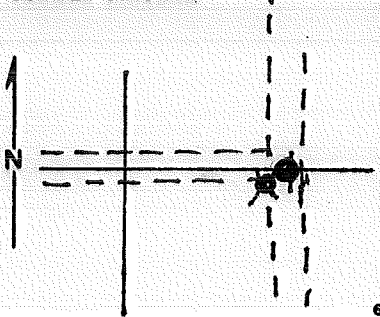
R.D. County Deschutes

Merid. Wmt

N.F. Deschutes State OR

~~W 1/16~~ 14/23

CORNER DIAGRAM



DESCRIBE CORNER MONUMENT FOUND

FD Brass Cap in Monument Box per CS02743

DESCRIBE BEARING TREES OR OTHER OFFICIAL ACCESSORIES FOUND

PHOTO IDENTIFICATION DATA

Photo No. _____
Filed At. _____
Object Ident. _____
Ident. By _____
Signature

DESCRIBE CORNER LOCATION RELATIVE TO NEAR-BY FEATURES, ALSO HOW TO REACH CORNER

PLANE COORDINATE POSITION DATA

State _____ Zone _____
X _____
Y _____
Estab. By _____
Agency

Signature
Walt Miller

Title
PLS

Division
CS

Headquarters
SO

Date
1/29

FS-7100-52 (3/68)

CORNER RECORD (PERPETUATION)

MONUMENT: DESCRIBE NEW MONUMENT SET, OR WORK DONE TO PRESERVE EXISTING MONUMENT

TRUE W/16
COR
ADJ PT BLS
ESE@
8.74.

ACCESSORIES : DESCRIBE NEW BT'S WITNESS OBJECTS ETC. ESTABLISHED, OR WORK DONE TO PRESERVE EXISTING EVIDENCE

Work Done By _____ Title _____ Date _____ State Registration No. or Agency _____

Certified Cor. Record Prepared ? Yes No Filed At: _____ Date _____

REMARKS

Index File No. T. R. M. Tract or Surv. No. Cor.

1863

GPO: 1986 O- 439-095

N-18

USDA-FOREST SERVICE

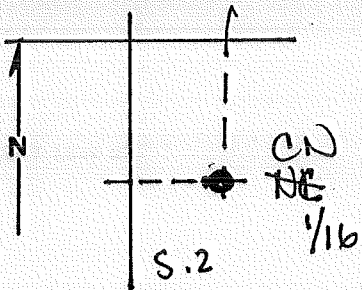
Index
File No. 1564

CORNER RECORD (SEARCH)
(Ref. FSM 7151.4)

Tract or Survey No. # 5
1036 Cor. No. 0-15

T 17 S R. 12 E R.D. — County Deschutes CN
Merid. W.M.T. N.F. Deschutes State OR NS 1/16 S. 22

CORNER DIAGRAM



DESCRIBE CORNER MONUMENT FOUND

FD Brass Cap in Rock outcrop per CS 02743

DESCRIBE BEARING TREES OR OTHER OFFICIAL ACCESSORIES FOUND

PHOTO IDENTIFICATION DATA

Photo No. _____
Filed At. _____
Object Ident. _____
Ident. By _____
Signature

DESCRIBE CORNER LOCATION RELATIVE TO NEAR-BY FEATURES, ALSO HOW TO REACH CORNER

PLANE COORDINATE POSITION DATA

State _____ Zone _____
X _____
Y _____
Estab. By _____
Agency

Signature
Walt Muller

Title
PLS

Division
CS

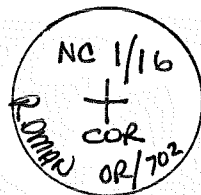
Headquarters
SO

Date
1/99

FS-7100-52 (3/68)

CORNER RECORD (PERPETUATION)

MONUMENT: DESCRIBE NEW MONUMENT SET, OR WORK DONE TO PRESERVE EXISTING MONUMENT



ACCESSORIES : DESCRIBE NEW BT'S WITNESS OBJECTS ETC. ESTABLISHED, OR WORK DONE TO PRESERVE EXISTING EVIDENCE

Work Done By _____ Title _____ Date _____ State Registration No. _____
or Agency _____

Certified Cor. Record Prepared ? Yes No Filed At: _____ Date _____

REMARKS

Index File No. T. R. M. Tract or Surv. No. Cor. _____

1564

0-15

USDA-FOREST SERVICE

Index File No. 1864

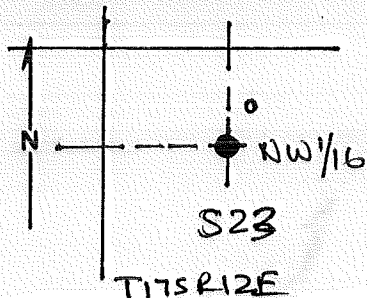
CORNER RECORD (SEARCH)
(Ref. FSM 7151.4)

6
Tract or Survey No. 1036 Cor. No. 0-18

T 17 S R. 12 E R.D. 4 County Deschutes

Merid. WMT N.F. Deschutes State OR NW 1/16 S23

CORNER DIAGRAM



DESCRIBE CORNER MONUMENT FOUND

Fd. Brass cap 2" Below surface of Pavement per CS 02743. The 1 1/4" dia pipe called for in Oman's Survey (02743) bears N 29° 58' E @ 64.2 ft.

DESCRIBE BEARING TREES OR OTHER OFFICIAL ACCESSORIES FOUND

PHOTO IDENTIFICATION DATA

Photo No. _____
Filed At. _____
Object Ident. _____
Ident. By _____
Signature

DESCRIBE CORNER LOCATION RELATIVE TO NEAR-BY FEATURES, ALSO HOW TO REACH CORNER

PLANE COORDINATE POSITION DATA

State _____ Zone _____
X _____
Y _____
Estab. By _____
Agency

Signature
Walt Muller

Title
PLS

Division
CS

Headquarters
SO

Date
1/99

FS-7100-52 (3/68)

CORNER RECORD (PERPETUATION)

MONUMENT : DESCRIBE NEW MONUMENT SET, OR WORK DONE TO PRESERVE EXISTING MONUMENT

ACCESSORIES : DESCRIBE NEW BT's WITNESS OBJECTS ETC. ESTABLISHED, OR WORK DONE TO PRESERVE EXISTING EVIDENCE

9

10

Work Done By _____ Title _____ Date _____ State Registration No. or Agency _____

Certified Cor. Record Prepared ? Yes No Filed At: _____ Date _____

11

REMARKS

12

13

Index File No. T. R. M. Tract or Surv. No. Cor.

1864

GPO: 1986 O- 439-095

0-18

USDA-FOREST SERVICE

Index File No. 1565

CORNER RECORD (SEARCH)
(Ref. FSM 7151.4)

Tract or Survey No. # 7
1036

Cor. No. P-15

T 17S R. 12E

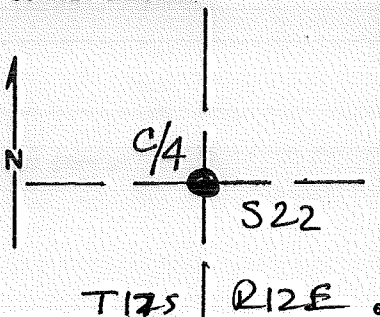
R.D. — County Deschutes

Merid. WMT

N.F. Deschutes State OR

C/A S. ~~22~~ 22

CORNER DIAGRAM



DESCRIBE CORNER MONUMENT FOUND

FD AC in monument box per CS 12214

DESCRIBE BEARING TREES OR OTHER OFFICIAL ACCESSORIES FOUND

PHOTO IDENTIFICATION DATA

Photo No. _____
 Filed At. _____
 Object Ident. _____
 Ident. By _____
Signature

DESCRIBE CORNER LOCATION RELATIVE TO NEAR-BY FEATURES, ALSO HOW TO REACH CORNER

PLANE COORDINATE POSITION DATA

State _____ Zone _____
 X _____
 Y _____
 Estab. By _____
Agency

Signature Walt Miller

Title PLS

Division CS

Headquarters SO

Date 1/49

FS-7100-52 (3/68)

CORNER RECORD (PERPETUATION)

MONUMENT: DESCRIBE NEW MONUMENT SET, OR WORK DONE TO PRESERVE EXISTING MONUMENT

T17SR12E
C1/4 + S22
1995
LS 2214

ACCESSORIES : DESCRIBE NEW BT's WITNESS OBJECTS ETC. ESTABLISHED, OR WORK DONE TO PRESERVE EXISTING EVIDENCE

Work Done By _____ Title _____ Date _____ State Registration No. _____
or Agency _____

Certified Cor. Record Prepared ? Yes No Filed At: _____ Date _____

REMARKS

Index File No. T. R. M. Tract or Surv. No. Cor. P-15

1565

USDA-FOREST SERVICE

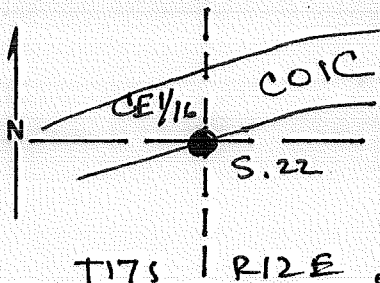
Index
File No. 1665

CORNER RECORD (SEARCH)
(Ref. FSM 7151.4)

8
Tract or Survey No. 1036 Cor. No. P-16

T T17S R. R12E R.D. - County Deschutes CE 1/16 S22
Merid. Wmr N.F. Deschutes State OR

CORNER DIAGRAM



DESCRIBE CORNER MONUMENT FOUND

FD. Rebar per CS 2743

DESCRIBE BEARING TREES OR OTHER OFFICIAL ACCESSORIES FOUND

PT #14 Brs S 29° 17' E @ 19.8'

PHOTO IDENTIFICATION DATA

Photo No. _____
Filed At. _____
Object Ident. _____
Ident. By _____
Signature

DESCRIBE CORNER LOCATION RELATIVE TO NEAR-BY FEATURES, ALSO HOW TO REACH CORNER

~~PT #14 Br~~

PLANE COORDINATE POSITION DATA

State _____ Zone _____
X _____
Y _____
Estab. By _____
Agency

Signature
Walt Muller

Title
PLS

Division
CS

Headquarters
SO

Date
1/95

FS-7100-52 (3/88)

CORNER RECORD (PERPETUATION)

MONUMENT : DESCRIBE NEW MONUMENT SET, OR WORK DONE TO PRESERVE EXISTING MONUMENT

ACCESSORIES : DESCRIBE NEW 8T^h WITNESS OBJECTS ETC. ESTABLISHED, OR WORK DONE TO PRESERVE EXISTING EVIDENCE

Work Done By _____ Title _____ Date _____ State Registration No. or Agency _____

Certified Cor. Record Prepared ? Yes No Filed At: _____ Date _____

REMARKS

Index File No. T. R. M. Tract or Surv. No. Cor.

1665

USDA-FOREST SERVICE

Index File No. 1765

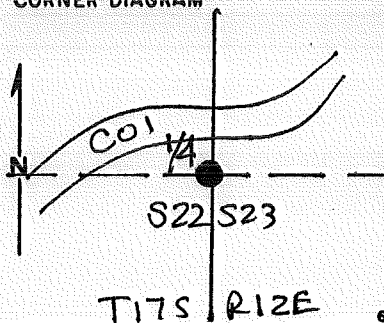
CORNER RECORD (SEARCH)
(Ref. FSM 7151.4)

#9
Tract or Survey No. 1036 Cor. No. P-17

T 17S R. 12E R.D. — County Deschutes

Merid. W MT N.F. Deschutes State OR 1/4 522/523

CORNER DIAGRAM



DESCRIBE CORNER MONUMENT FOUND

FD Brass Cap 2" below surface per
Corner Restoration Record 1068

DESCRIBE BEARING TREES OR OTHER OFFICIAL ACCESSORIES FOUND

PHOTO IDENTIFICATION DATA

Photo No. _____
Filed At. _____
Object Ident. _____
Ident. By _____
Signature

DESCRIBE CORNER LOCATION RELATIVE TO NEAR-BY FEATURES, ALSO HOW TO REACH CORNER

PLANE COORDINATE POSITION DATA

State _____ Zone _____
X _____
Y _____
Estab. By _____
Agency

Signature
Walt Muller

Title
PLS

Division
CS

Headquarters
SO

Date
1/99

FS-7100-52 (3/68)

CORNER RECORD (PERPETUATION)

MONUMENT: DESCRIBE NEW MONUMENT SET, OR WORK DONE TO PRESERVE EXISTING MONUMENT

T17 S R12E
1/4!
S22 | S23
1991
L31081

ACCESSORIES : DESCRIBE NEW BT'S WITNESS OBJECTS ETC. ESTABLISHED, OR WORK DONE TO PRESERVE EXISTING EVIDENCE

Work Done By _____ Title _____ Date _____ State Registration No. _____
or Agency _____

Certified Cor. Record Prepared? Yes No Filed At: _____ Date _____

REMARKS

Index File No. 1765 T. R. M. Tract or Surv. No. Cor. P-17

USDA-FOREST SERVICE

Index File No. 1865

CORNER RECORD (SEARCH)
(Ref. FSM 7151.4)

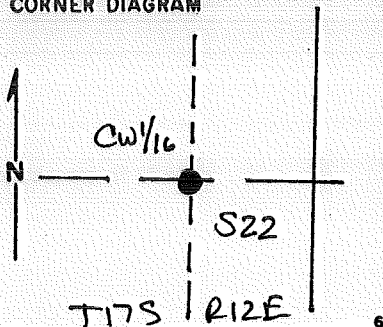
Tract or Survey No. 1036 Cor. No. P-18

#10

T 17S R. 12E R.D. 7 County Deschutes

Merid. WMT N.F. Deschutes State OR CW 1/16 S.22

CORNER DIAGRAM



DESCRIBE CORNER MONUMENT FOUND

Strong magnetic signal was received from the paved over brass cap and monument box.

DESCRIBE BEARING TREES OR OTHER OFFICIAL ACCESSORIES FOUND

PHOTO IDENTIFICATION DATA

Photo No. _____
Filed At. _____
Object Ident. _____
Ident. By _____
Signature

DESCRIBE CORNER LOCATION RELATIVE TO NEAR-BY FEATURES, ALSO HOW TO REACH CORNER

PLANE COORDINATE POSITION DATA

State _____ Zone _____
X _____
Y _____
Estab. By _____
Agency

Signature
Walt Miller

Title
PLS

Division
CS

Headquarters
50

Date
1/99

FS-7100-52 (3/60)

CORNER RECORD (PERPETUATION)

MONUMENT: DESCRIBE NEW MONUMENT SET, OR WORK DONE TO PRESERVE EXISTING MONUMENT

Esta

ACCESSORIES : DESCRIBE NEW BT'S WITNESS OBJECTS ETC. ESTABLISHED, OR WORK DONE TO PRESERVE EXISTING EVIDENCE

Established by using swings ties from Cooks 1976 survey CS 02742, Omans 1978 survey CS 02743, and Manley, 1994 survey CS 11963 as well as 0.2 ft of record measurements,

Work Done By _____ Title _____ Date _____ State Registration No. or Agency _____

Certified Cor. Record Prepared ? Yes No Filed At: _____ Date _____

REMARKS

Index File No. 1865 T. R. M. Tract or Surv. No. Cor. P-18¹⁵

Index File No. 0367

CORNER RECORD (SEARCH)
(Ref. FSM 7151.4)

Tract or Survey No. _____

Cor. No. R-03

T 17 S R. 12 E

R.D. _____

County Deschutes

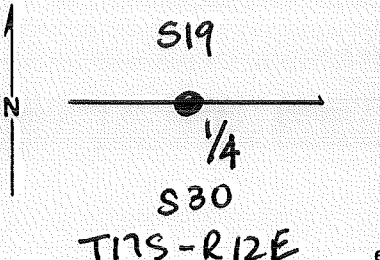
N/A S. 30

Merid. WMT

N.F. Deschutes

State OR

CORNER DIAGRAM



DESCRIBE CORNER MONUMENT FOUND

DESCRIPTION OF CORNER EVIDENCE FOUND

DES

FOUND 5/8" DIAMETER, CENTER-PUNCHED, REBAR AND ORIGINAL 1/4 STONE. FOUND B.T.'S BY BUSSARD, BUT THE TREE BARK HAD OVERGROWN THE BLAZES.

2

PHOTO IDENTIFICATION DATA

Photo No. _____
Filed At. _____
Object Ident. _____
Ident. By _____
Signature

05/16/80

GARY W. HICKMAN

PACIFIC TELEPHONE RESERVOIR EASEMENT.
FOUND 2.5" I.P. WITH BRASS CAP.
CS02948.

D

01/19/83

GARY W. HICKMAN

MINOR PARTITION LOCATED IN SECTION 30.
FOUND 1/2" I.R. AND MARKED STONE.
CS02943.

07/05/88

JEFF A. KERN

AWBREY BUTTE HOMESITES, PHASE NINE.
FOUND 5/8" I.R. CS05213.

PLANE COORDINATE POSITION DATA

State _____ Zone _____
X _____
Y _____
Estab. By _____
Agency

8

Signature

Jeff Kern

Title

PLS

Division

Headquarters

Date

9/13/88

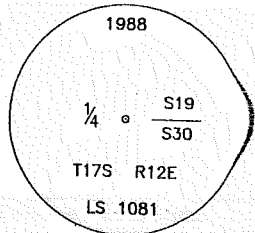
FS-7100-52 (3/68)

4

5

CORNER RECORD (PERPETUATION)

MONUMENT: DESCRIBE NEW MONUMENT SET, OR WORK DONE TO PRESERVE EXISTING MONUMENT



DUG A 20" DEEP HOLE. SET FOUND REBAR 12" BELOW GRADE. SET 2" DIAM. BRASS CAP IN CONCRETE, 8" BELOW GRADE. BURIED ORIGINAL STONE, UPSIDE DOWN, 2" MORE OR LESS SOUTH OF BRASS CAP, WITH 1/4 FACING NORTH.

RESERVE I

ON MARCH 12, 2000, FOLLOWING REFERENCES WERE SET:
 SET GALV. NAIL + BRASS WASHER 2' UP EAST SIDE OF 14' PINE, N 6' W, 21.76'.
 SET GALV. NAIL + BRASS WASHER 2' UP NORTH SIDE OF 12' PINE, N 77' E, 10.25'.
 SET GALV. NAIL + BRASS WASHER 2' UP EAST SIDE OF 9' PINE, S 15' W, 6.42'.
 SET GALV. NAIL + BRASS WASHER 2' UP NORTH SIDE OF 7' PINE, S 71' W, 8.06'.

Work Done By Jeff Kern Title PLS Date 9/88 State Registration No. 1081
 or Agency

Certified Cor. Record Prepared? Yes No Filed At: DC Date 9/13/88

REMARKS

1871 G.NEWMAN UNDER CONTRACT; #141 SET STONE 12" X 8" X 6".
 09/07/72 JAMES E. BUSSARD DEPENDENT SURVEY AND PARTIAL SUBDIVISION
 OF SECTIONS 24, 25, ETC. C504901.
 FOUND SCRIBED STONE, SET 2.5" IRON PIPE
 WITH 3" BRASS CAP. SET NEW B.T.'S:
 -6" P. PINE S 15' W, 6.64'
 -9" P. PINE N 80' E, 10.24'

Index File No. 0367 T. 17S R. 12E M. WMT Tract or Surv. No. Cor. R-03

Awbrey Tower Site

USDA-FOREST SERVICE

Index

File No. _____

CORNER RECORD (SEARCH)

(Ref. FSM 7151.4)

Tract or

Survey No. 0001042 Cor. No. 1

T 17 S R. 12 E

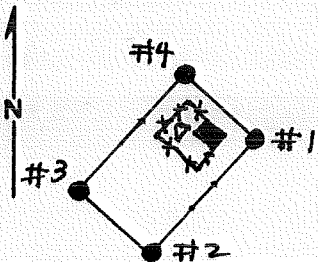
R.D. _____ County Deschutes

Merid. WMT

N.F. Deschutes State _____

CORNER DIAGRAM

DESCRIBE CORNER MONUMENT FOUND



NA

DESCRIBE BEARING TREES OR OTHER OFFICIAL ACCESSORIES FOUND

NA

PHOTO IDENTIFICATION DATA

Photo No. _____

Filed At. _____

Object Ident. _____

Ident. By _____

Signature

PLANE COORDINATE POSITION DATA

State _____ Zone _____

X _____

Y _____

Estab. By _____

Agency

DESCRIBE CORNER LOCATION RELATIVE TO NEAR-BY FEATURES, ALSO HOW TO REACH CORNER

S/A S. 19 T. 17 S - R 12 E BRS ~ N 30° W @ 1190' ±

Signature
Walt Miller

Title
PLS

Division
CS

Headquarters
SO

Date
1/2000

FS-7100-52 (3/68)

CORNER RECORD (PERPETUATION)

MONUMENT: DESCRIBE NEW MONUMENT SET, OR WORK DONE TO PRESERVE EXISTING MONUMENT

Chiseled an "X" in a rock outcrop.

ACCESSORIES : DESCRIBE NEW BT'S WITNESS OBJECTS ETC. ESTABLISHED, OR WORK DONE TO PRESERVE EXISTING EVIDENCE

NE cor of bldg brs S 72° 54' W @ 23.2'

Work Done By Walt Miller Title PLS Date 1/2000 State Registration No. 2111
or Agency

Certified Cor. Record Prepared? Yes No Filed At: Des. Co. Date 3/31/00

REMARKS

Index File No. T. R. M. Tract or Surv. No. Cor. #

Aubrey Turner # 1

USDA-FOREST SERVICE

Index
File No.

CORNER RECORD (SEARCH)
(Ref. FSM 7151.4)

Tract or Survey No. Cor. No. 2

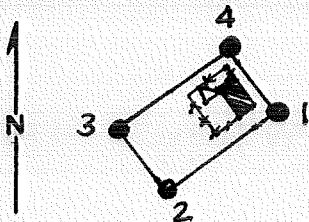
T 17 S R. 12 E

R.D. County Deschutes

Merid. W Mt

N.F. Deschutes State Oregon

CORNER DIAGRAM



DESCRIBE CORNER MONUMENT FOUND

Na

DESCRIBE BEARING TREES OR OTHER OFFICIAL ACCESSORIES FOUND

Na

PHOTO IDENTIFICATION DATA

Photo No.
Filed At.
Object Ident.
Ident. By
Signature

DESCRIBE CORNER LOCATION RELATIVE TO NEAR-BY FEATURES, ALSO HOW TO REACH CORNER

~1200' ± S 30° W ± of 5/4 5.19

PLANE COORDINATE POSITION DATA

State Zone
X
Y
Estab. By
Agency

Signature
Walt Miller

Title
PLS

Division
CS

Headquarters
SD

Date
1/2000

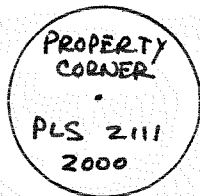
FS-7100-52 (3/68)

CORNER RECORD (PERPETUATION)

MONUMENT: DESCRIBE NEW MONUMENT SET, OR WORK DONE TO PRESERVE EXISTING MONUMENT

5/8" x 30" rebar rising 12" w/ 3/4" AC

§



ACCESSORIES : DESCRIBE NEW BT'S WITNESS OBJECTS ETC. ESTABLISHED, OR WORK DONE TO PRESERVE EXISTING EVIDENCE

SE Fence corner bears N 04° 33' E @ 57.13'

Work Done By Walt Miller Title PLS Date 1/2000 State Registration No. 2111 or Agency

Certified Cor. Record Prepared? Yes No Filed At: Des Co. Date 3/21/00

REMARKS

Index File No. T. R. M. Tract or Surv. No. Cor.

USDA-FOREST SERVICE

Index _____
File No. _____

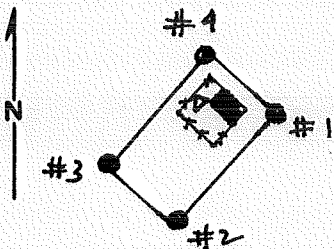
CORNER RECORD (SEARCH)
(Ref. FSM 7151.4)

Tract or Survey No. 0001042 Cor. No. 3

T 17 S. R. 12 E. R.D. _____ County Deschutes

Merid. WMS N.F. Deschutes State Oregon

CORNER DIAGRAM



DESCRIBE CORNER MONUMENT FOUND

NA

DESCRIBE BEARING TREES OR OTHER OFFICIAL ACCESSORIES FOUND

NA

PHOTO IDENTIFICATION DATA

Photo No. _____
Filed At. _____
Object Ident. _____
Ident. By _____
Signature

DESCRIBE CORNER LOCATION RELATIVE TO NEAR-BY FEATURES, ALSO HOW TO REACH CORNER

$\frac{S}{4}$ S. 19 Bears ~ N 30° W ± @ $\frac{1}{2}$ 1200' ±

PLANE COORDINATE POSITION DATA

State _____ Zone _____
X _____
Y _____
Estab. By _____
Agency

Signature
Walt Miller

Title
PLS

Division
CS

Headquarters
SO

Date
1/2000

CORNER RECORD (PERPETUATION)

MONUMENT: DESCRIBE NEW MONUMENT SET, OR WORK DONE TO PRESERVE EXISTING MONUMENT

5/8" dia x 30" long rebar rising 12" w/3/4"
AC.

PROPERTY
CORNER
PLS 2111
2000

ACCESSORIES: DESCRIBE NEW BT'S WITNESS OBJECTS ETC. ESTABLISHED, OR WORK DONE TO PRESERVE EXISTING EVIDENCE

SW Fence corner bears N31° 12' E @ 54.48'

Work Done By Walt Miller Title PLS Date 3/2000 State Registration No. 2111
or Agency

Certified Cor. Record Prepared? Yes No Filed At: Des. Co. Date 3/31/00

REMARKS

Index File No. T. R. M. Tract or Surv. No. Cor. #3

Awbrey Tower Site

USDA-FOREST SERVICE
Index
File No. _____

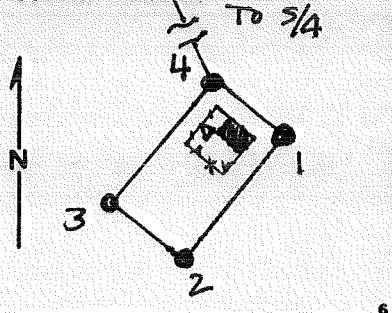
CORNER RECORD (SEARCH)
(Ref. FSM 7151.4)

Tract or Survey No. 0001042 Cor. No. 4

T 17S R. 12^W E. R.D. _____ County Deschutes

Merid. WMT N.F. Deschutes State Oregon

CORNER DIAGRAM



DESCRIBE CORNER MONUMENT FOUND

Na

DESCRIBE BEARING TREES OR OTHER OFFICIAL ACCESSORIES FOUND

Na

PHOTO IDENTIFICATION DATA

Photo No. _____
Filed At. _____
Object Ident. _____
Ident. By _____
Signature

DESCRIBE CORNER LOCATION RELATIVE TO NEAR-BY FEATURES, ALSO HOW TO REACH CORNER

PLANE COORDINATE POSITION DATA

State _____ Zone _____
X _____
Y _____
Estab. By _____
Agency

Signature
Walt Miller

Title
PLS

Division
SO

Headquarters
BL

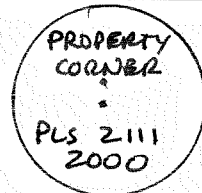
Date
1/2000

FS-7100-52 (3/68)

CORNER RECORD (PERPETUATION)

MONUMENT: DESCRIBE NEW MONUMENT SET, OR WORK DONE TO PRESERVE EXISTING MONUMENT

Set 5/8" x 30" Rebar w/ 3/4" AC



ACCESSORIES: DESCRIBE NEW BT'S WITNESS OBJECTS ETC. ESTABLISHED, OR WORK DONE TO PRESERVE EXISTING EVIDENCE

NW fence corner bears S. 05, 02' E @ 17.23'

S/4 S. 19, T17S - R12E, bears N 29° 47' 41" W @ 1193.45



Work Done By Walt Miller Title PLS Date 1/2000 State Registration No. 2111 or Agency

Certified Cor. Record Prepared? Yes No Filed At: Des. Co. Date 3/31/00

REMARKS

Index File No. T. R. M. Tract or Surv. No. Cor. #4